

David Miller
Shaklee - Independent Distributor
1490 Bat Roost Rd
Manchester, Ohio 45144
937-779-0046

Get Your Shaklee Products Go Here:

<http://www.shaklee.net/mimc/>

Introducing Shakleebaby™ and Shakleekids™



**Introducing Shakleebaby™ - Always Safe. Always Gentle. Always Healthy.
Open Order 5/1**

Babies are the most precious gifts in the world. Keep yours happy and healthy with Shakleebaby. Safe, pure, and natural, our pediatrician tested baby care products are formulated to keep your little one's bottoms soft, itty-bitty toes clean, and growing body healthy.



Gentle Wash

Clean, fresh baby. This extra gentle wash is made with organic chamomile and lavender, pH balanced and sensitivity tested to shower even the most tender skin with love. 99% Natural; 76% Organic.

#30108 <http://www.shaklee.net/mimc/>



Soothing Lotion

So soft. Organic sunflower seed oil and shea butter moisturize, and organic chamomile and lavender soothe. 99% Natural; 87% Organic.

#30106 <http://www.shaklee.net/mimc/>



Diaper Rash Cream

Naturally soothing. Zinc Oxide protects baby's delicate skin from wetness, keeping skin healthy and dry, and helps heal diaper rash. Organic and natural oils keep skin hydrated and smooth while chamomile, aloe, and calendula extracts soothe. 99% Natural. 78% Organic.

#30109 <http://www.shaklee.net/mimc/>



Massage Oil

Perfect for massaging baby or moisturizing after a bath. With organic sunflower oil, lavender, and chamomile to moisturize and smooth. 99% Natural, 99% Organic.

#30107 <http://www.shaklee.net/mimc/>



Multivitamin & Multimineral Powder

One of the most comprehensive infant-toddler supplements available, it contains prebiotics to help promote a healthy immune system and bundles of vitamin D to support strong bones and teeth. Star-K Certified. *

#20057 <http://www.shaklee.net/mimc/>

* These statements have not been evaluated by the Food and Drug Administration. These products are not intended to diagnose, treat, cure, or prevent any disease.



Introducing Shakleekids™ - Supersmart. Supersafe. Supernutritious.
Open Order 5/1

Behold the powers of Shakleekids Mighty Smart and Incredivites! These dietary supplements are made with supersafe ingredients that bring out the best in kids, like rad vision, smart noggins, and a rockin immune system. *



Incredivites™

Shakleekids Incredivites is the first kids chewable multivitamin in the U.S. with lactoferrin, a protein that helps busy bodies' immune systems stay supercharged. Packed with 23 essential nutrients, it's one of the most comprehensive supplements available - with 600IU of vitamin D to support strong bones and teeth, and 100% of the daily value for vitamins C and E per serving. *

#20002 <http://www.shaklee.net/mimc/>

Note: Vita-Lea® Ocean Wonders™ will continue to be available.



Mighty Smart™

Shakleekids Mighty Smart is scientifically formulated with a power-packed blast of ultra-pure DHA. Essential for early brain development, this omega-3 fatty acid has been shown to support mighty memory, mad concentration, and fierce mind skills. Star-K Certified.

#20058 <http://www.shaklee.net/mimc/>

Model 52301 Filter Cartridge

Replacement Instructions



Tested and certified by NSF International against NSF/ANSI Standard 42, Aesthetic Effects: Chlorine Taste and Odor, and Particulate Reduction (Class 1); and NSF/ANSI Standard 53, Health Effects, for reduction of Turbidity, Cysts, Lead, and VOCs.

California Department of Health Services Certification Number: 95-1200
For conditions of use, health claims certified by the California Department of Health Services and replacement parts, see the Performance Data Sheet.

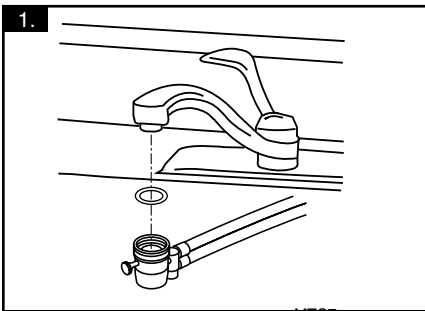
FILTER REPLACEMENT

Step One: About Filter Replacement

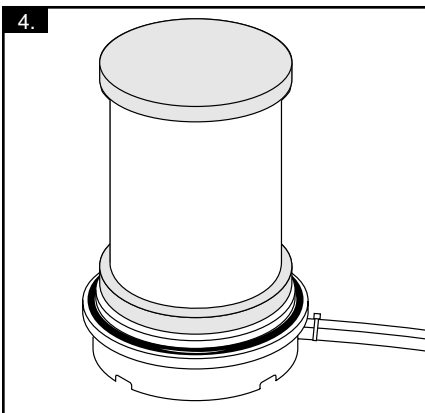
- Under most conditions, your BestWater MTS 2000® Filter Cartridge must be replaced after 1,000 gallons or one year, whichever comes first.
- However, water conditions can vary significantly, and this may affect the frequency of your Filter replacement. Under some water conditions, you may notice that the flow of water from your MTS 2000 has slowed down, or you may notice that the taste of your treated water has changed. Both of these conditions are signs that your filter is near the end of its useful life and should be changed.
- Use only a BestWater Filter Cartridge, which has been designed to fit your MTS 2000. This Replacement Cartridge is Model 52301.
- You must clean and sanitize the housing and tubing each time you change the Filter Cartridge for the MTS 2000 to perform at its best. **DO NOT SKIP THIS PROCEDURE.**

Step Two: Disconnecting Your Countertop MTS 2000

(For Undercounter Model, proceed to Step Three)

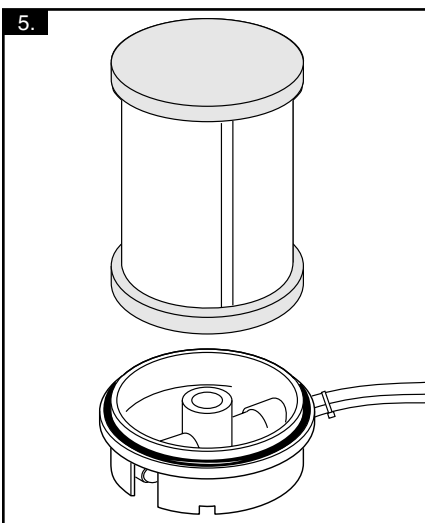


1. **OPTIONAL:** Disconnect the diverter valve from your faucet. Leave the diverter valve dangling into the sink while you work on the MTS 2000 unit. (This step may not be necessary if you will be working on the unit right at the sink).
2. Remove the plastic Clamp Cover by lifting it straight up over the top of the Stainless Steel Housing.
3. Disconnect the Clamp by pulling the lever away from the Housing, then detaching the latch from the hooks that hold it in place. Remove the Clamp entirely.
4. Remove the Stainless Steel Housing by lifting it off the Manifold. The large O-ring may stay seated in the groove around the perimeter of the Manifold, or you may remove it also — but keep it close at hand so it doesn't get lost. You'll need to reassemble it later.
5. Remove the Filter from the Manifold by gently pulling straight up, or by wiggling the Filter gently from side to side as you pull upwards. Unlike when you are installing the Filter, you need not worry about damaging the small O-rings, as they are discarded with the used Filter.
6. Discard the used Filter in the household trash. You may want to wrap it in a plastic bag first, preferably one you are reusing!
7. Clean the inside of the Stainless Steel Housing and Manifold with a mild cleaner (such as Basic-H® or Satin Sheen®) and warm water. Handle the large O-Ring carefully so as not to distort or damage it. Do not use scouring pads or powder as they may scratch the surfaces.



Step Three: Disconnecting Your Undercounter System

The MTS 2000® will be disconnected at the push-in fittings. When removing the push-in fittings from the Manifold, have a towel ready to wipe away any drips that may occur.

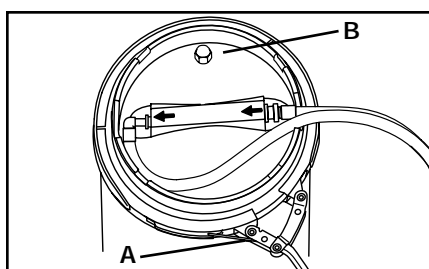
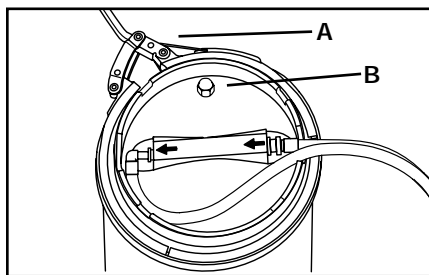
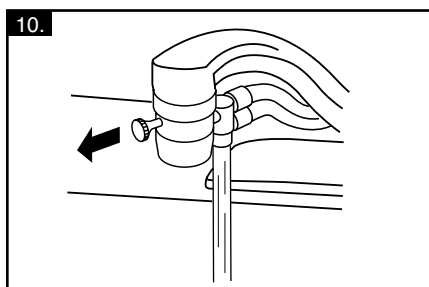
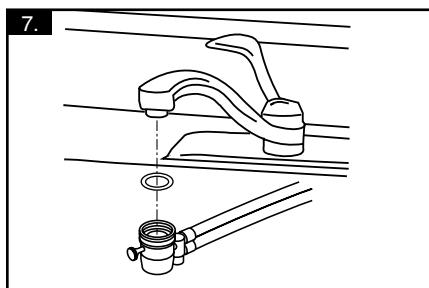
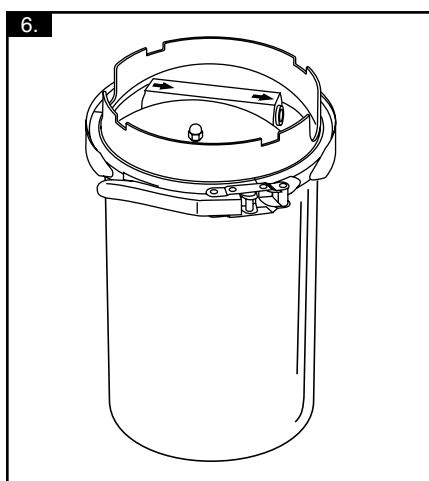
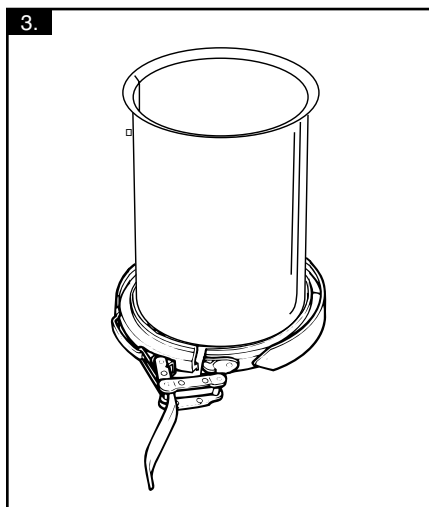
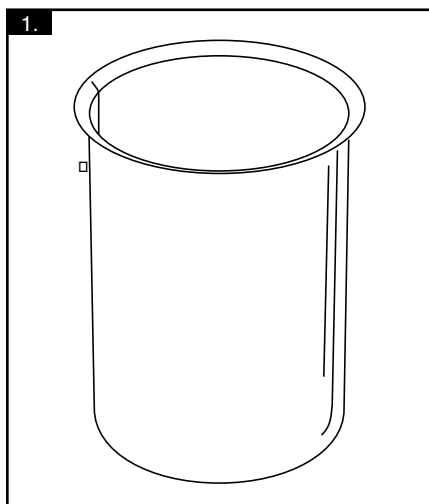


1. Turn off the cold water supply. (Not the faucet, but the cold water supply under your sink.)
2. Turn on MTS 2000 faucet to let any remaining water drain.
3. Remove the plastic Clamp Cover by lifting it straight up over the top of the Stainless Steel Housing.
4. Disconnect the tubing at the push-in fittings by pushing the collar towards the port while pulling the fitting out from the port.
5. Now that the unit is no longer attached to the plumbing under the counter, lift the unit to the sink where excess water can flow down the drain.
6. Disconnect the Clamp by pulling the lever away from the Housing, then detaching the latch from the hooks that hold it in place. Remove the Clamp entirely.
7. Remove the Stainless Steel Housing by lifting it off the Manifold. The large O-Ring may stay seated in the groove around the perimeter of the Manifold, or you may remove it — but keep it close at hand so it does not get lost. You will need to reassemble it later.
8. Remove the Filter from the Manifold by gently pulling straight up, or by wiggling the Filter gently from side to side as you pull upwards. Unlike when you are installing the Filter, you need not worry about damaging the small O-Rings, as they are discarded with the used Filter.
9. Discard the used Filter in the household trash. You may want to wrap it in a plastic bag first, preferably one you are reusing!
10. Clean the inside of the Stainless Steel Housing and Manifold with a mild cleaner (such as Basic-H® or Satin Sheen®) and warm water. Handle the large O-Ring carefully so as not to distort or damage it. Do not use scouring pads or powder as they may scratch the surfaces.
11. Sanitize the System (See Step 4 on the reverse side).

! IMPORTANT

DO NOT SKIP THIS PROCEDURE: Sanitize the Filter Housing, Diverter Valve, and Tubing as directed.

IMPORTANT: Use COLD WATER ONLY throughout this procedure. DO NOT use hot water, as it may damage the System. It is recommended to wash your hands thoroughly, preferably with a germicidal soap.



A. Handle Mount
B. Vent Button

Step Four: Sanitizing the System

1. Invert the Stainless Steel Housing with its flat "top" face down on your work surface so that it resembles a vase or bowl. Set a folded towel between the Housing and the work surface to help hold it securely. Fill the Housing halfway with cold water, and add approximately 1 oz. of liquid chlorine bleach. (Basic-G® is not recommended, as it requires more rinsing than chlorine bleach, and any residual Basic-G inadvertently remaining in the housing could be detrimental to the system.)

! IMPORTANT: DO NOT INSERT FILTER CARTRIDGE YET!

2. Set the Manifold on your work surface with the Tubing connections down and the center socket facing upward. Verify that the O-Ring in is the groove around the outer edge of the Manifold, in preparation for attaching the Manifold to the Housing.
3. Set the opened Clamp on your work surface, then set the Housing (still with open end up, and still containing water and liquid chlorine bleach solution) inside the clamp. This will later enable you to easily move the Clamp into position to secure the Manifold to the Housing.
4. Invert the Manifold and place it over the Housing, so that the O-Ring comes into contact with the rim of the Housing.
5. Carefully move the Clamp upwards until you can position it over the ridge where the Manifold and Housing are joined.
6. Close the Clamp by attaching the latch over the hooks and pulling the lever closed. This will require a little leverage, but should not be beyond the strength of most adults. It is necessary for the clamp to have a strong connection to withstand the pressure inside the system once it is operational. After securely closing the clamp, set the unit upright, so it is resting on the bottom of the Manifold.

For Countertop Model Only:
(For Undercounter Model, proceed to Step 17.)

7. Verify that the Diverter Valve is attached to your faucet.
8. Turn on cold water tap, and pull out the diverter pin on the front of the Diverter Valve.
9. As soon as water begins to come out of the Diverter, turn off the cold water tap, and allow the pin to go back into the Diverter. Turn the System upside down a couple of times to mix water. Turn it right side up, and allow the water inside the System to stand for 30 minutes.

! CAUTION: DO NOT USE THE SYSTEM DURING THIS 30-MINUTE PERIOD.
You may want to place a note at the tap to warn others.

10. After 30 minutes, turn on the cold water tap, pull out the diverter pin, and let water flow out of diverter for several minutes until all odor of bleach is no longer present in the water flowing from the Diverter Valve.
11. Turn off the cold water tap and let the water finish draining from the Diverter Valve.
12. With the unit inside your sink, disconnect the Clamp by pulling the lever away from the Housing, then detach the latch from the hooks which hold it in place and remove the Clamp entirely.
13. Remove Manifold from the Housing.
14. Empty any remaining water from the Housing. Try not to touch any of the internal surfaces of the System.
15. Now you're ready to install the Filter Cartridge.

FOR UNDERCOUNTER MODEL ONLY:

16. Turn on System.
17. As soon as water begins to come out of the Undercounter Faucet, turn it off and turn the System upside down a couple of times to mix water. Turn the System right side up, and allow the water inside the System to stand for 30 minutes.

! CAUTION: DO NOT USE THE SYSTEM DURING THIS 30-MINUTE PERIOD.
You may want to place a note at the tap to warn others.

18. After 30 minutes, turn on the system and let the water flow out of the faucet for several minutes until all odor of bleach is no longer present in the flowing water.
19. Turn off the Undercounter Faucet and let the water finish draining from the Undercounter Faucet into the sink.
20. Turn off the cold water line.
21. Remove the System from the cold water line by disconnecting the unit at the push-in fittings found at the bottom of the unit.
22. Put the System inside the sink. Disconnect the Clamp by pulling the lever away from the Housing, then detach the latch from the hooks which hold it in place and remove the Clamp entirely.
23. Remove Manifold from the Housing.
24. Empty any remaining water from the Housing. Try not to touch any of the internal surfaces of the System.
25. Now you are ready to install the Filter Cartridge.

Step Five: Installing the New Filter Cartridge

NOTE: Use the BestWater Filter Cartridge that came with your MTS 2000®, Replacement Filter Model 52301.

Wash your hands thoroughly, preferably with a germicidal soap.

26. Set the manifold on your work surface with the tubing connections down and the center socket facing upward. Make sure the large O-ring is in the groove around the outer edge of the manifold.
27. Partially remove the plastic wrap from around the double O-Ring-end of the Filter Cartridge, holding the filter using the plastic wrap.
28. Notice the two small black O-rings on the stem of the Filter Cartridge. Wet them with a few drops of water to lubricate the two small O-rings.
29. Hold the Filter Cartridge with the stem facing downward. Insert the stem into the socket of the manifold by pressing straight down.

! CAUTION: DO NOT WIGGLE, ROCK, OR ROTATE THE FILTER CARTRIDGE, AS THIS MAY DISPLACE THE O-RINGS AND CAUSE LEAKAGE TO OCCUR.

30. After inserting the Filter Cartridge stem into the Manifold socket, check the clearance between the socket and the filter. If you can see any portion of the small black O-rings, that indicates that they are out of alignment and the installation of the Filter into the Manifold must be repeated.
31. Fit the Stainless Steel Housing over the filter, so that the edge of the Housing fits securely over the Manifold and large O-ring.
32. Carefully position the Clamp over the ridge where the Manifold and Housing meet. If the unit is to be positioned to the left of the sink, align the handle mount (A) directly next to the vent button (B). If the unit is to be positioned to the right of the sink, align the handle mount (A) directly across from the vent button (B). Close the Clamp by attaching the latch over the hooks and pulling the lever toward the Housing until it is secure. A little leverage may be necessary to close the Clamp, but this can be done by most adults.